

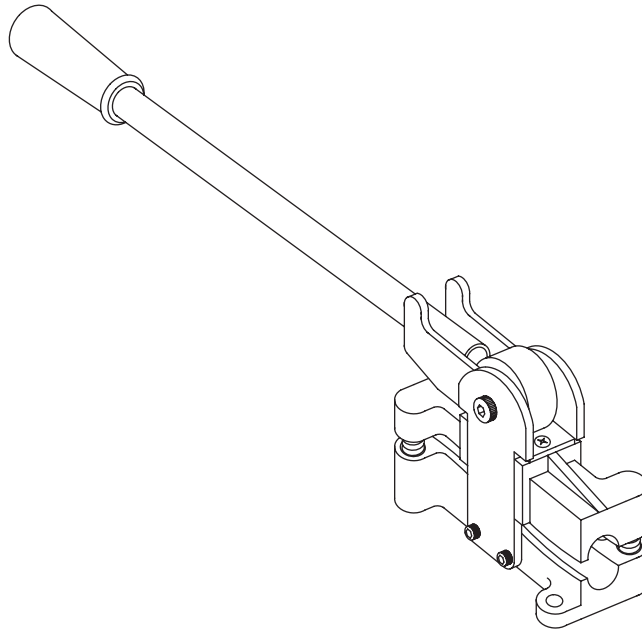


Current Tools

FOR THE PROFESSIONAL ELECTRICIAN

Current Tools™ Offset Benders

Model 705 – 1/2" EMT Conduit
Model 706 – 3/4" EMT Conduit



Operating, Safety, and Parts Manual

09/05 REV. 2



Read and understand this material before using the Offset Bender. Failure to understand how to safely operate this unit may result in personal injury.

This manual is free of charge. All personnel who operate the Offset Bender should have a copy of this manual and read and understand its contents. To request a copy, call or write to the address below.

CURRENTTOOLS • P. O. BOX 17026 GREENVILLE, SC 29606
800.230.5421 or 864.244.1201 • FAX 864.244.5860
www.currenttools.com

OPERATING INSTRUCTIONS

1. Slide conduit into bender so that end of conduit sticks out of the low side of the bender. (See *Figure A*).
2. Push handle down as shown in *Figure A*.
3. Pull handle up to release bent conduit.

NOTE: *Two mounting holes are located on the base of the offset bender. These can be used to mount the offset bender to a work table or other work surface.*

CAUTION

For use **ONLY** with EMT Conduit.

Damage will occur to bender if used with IMC or RIGID conduit.

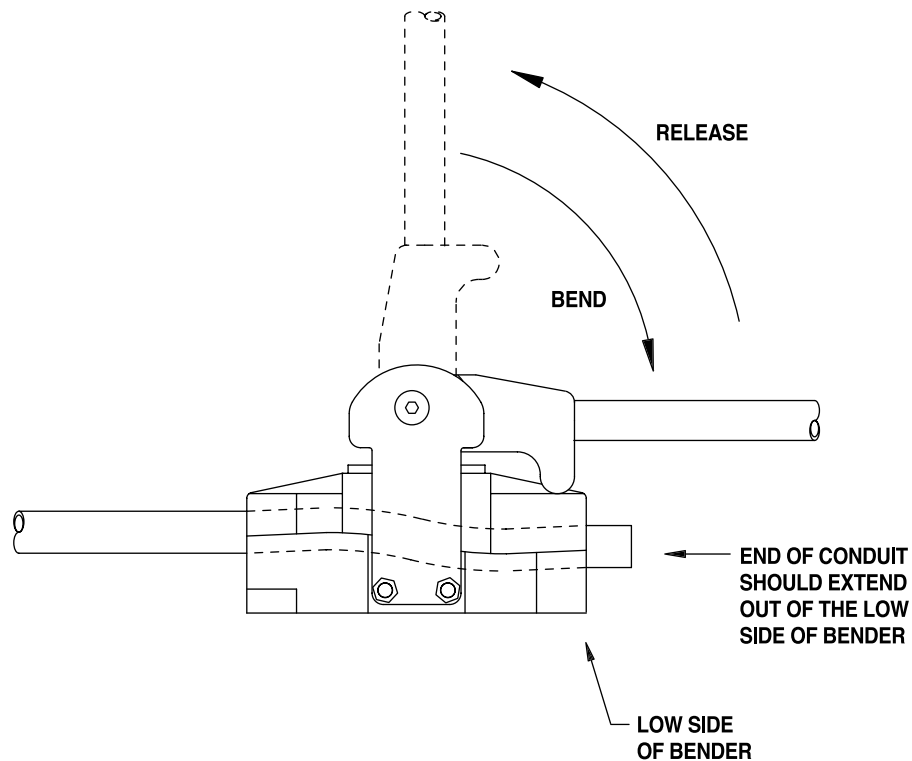
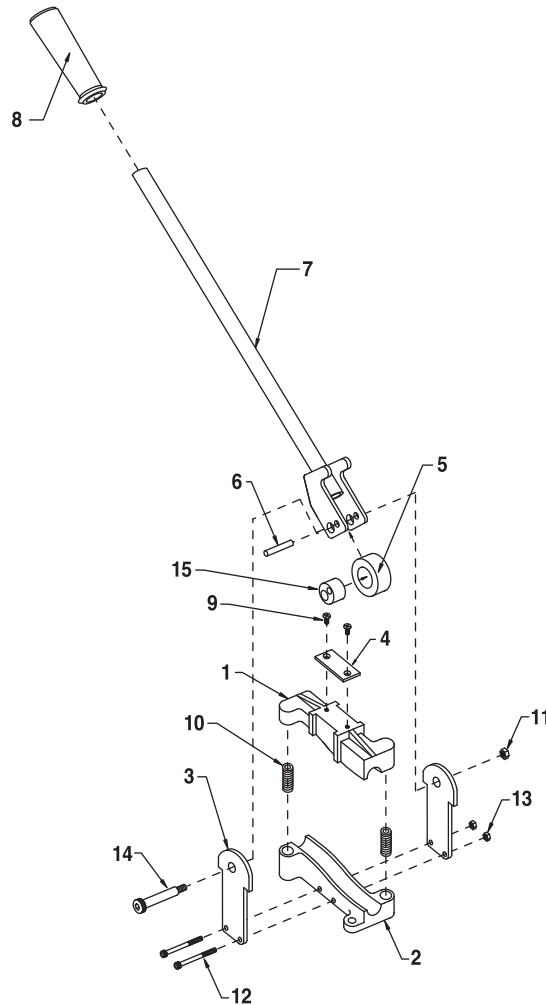


Figure A

EXPLODED VIEW



PARTS LIST — Models 705 and 706 Offset Benders

ITEM #	705 PART #	706 PART #	QTY	DESCRIPTION
1	.705-1	.706-1	.1	.UPPER BLOCK
2	.705-2	.706-2	.1	.LOWER BLOCK
3	.705-3	.705-3	.2	.SLIDE PLATE
4	.705-4	.705-4	.1	.WEAR PLATE
5	.705-5	.705-5	.1	.LARGE ROLLER
6	.705-6	.705-6	.1	.PIN - ROLLER
7	.705-7	.705-7	.1	.HANDLE
8	.705-8	.705-8	.1	.GRIP
9	.705-9	.705-9	.2	.SCREW #10 - 24 x 1/2" FLAT PHILLIPS
10	.705-10	.705-10	.2	.SPRING - COMPRESSION
11	.2-1501-4	.2-1501-4	.1	.NUT-HEX, 3/8" - 16 (NYLOK)
12	.705-12	.705-12	.2	.SCREW-SOC. HD. CAP 5/16" - 18 x 2 1/4"
13	.2-1301-4	.2-1301-4	.2	.NYL. INS. NUT-HEX, 5/16" - 18
14	.705-14	.705-14	.1	.SCREW-SHOULDER SOC. 1/2" x 2"
15	.705-5A	.705-5A	.1	.SMALL ROLLER