

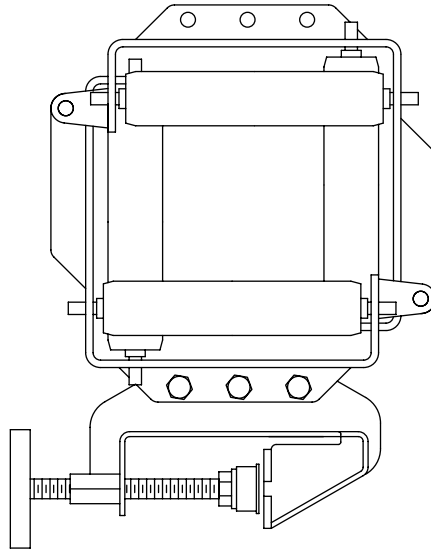


# **Current Tools**

**FOR THE PROFESSIONAL ELECTRICIAN**

## **Current Tools™ Model 9546 Four-Sided Roller with Clamp**

The Model 9546 Four-Sided Roller is designed to easily clamp to various styles of cable tray and provide low friction wire pulling. This unit also has a quick release pin for ease of unloading the cable or wire bundle into the cable tray.



## **Instruction Sheet**

07/10 REV. 1



**Read and understand this material before using the Four-Sided Roller. Failure to understand how to safely operate this unit could result in serious injury or death.**

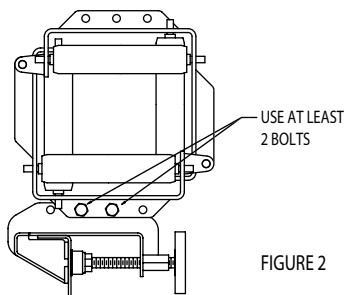
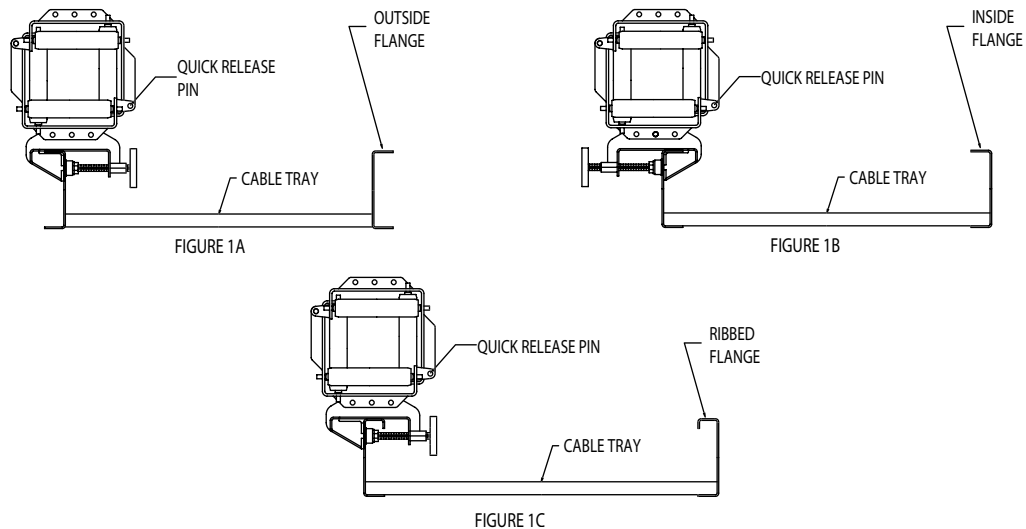
This manual is free of charge. All personnel who operate the Four-Sided Roller should have a copy of this manual and read and understand its contents. To request a copy, call or write to the address below.

**CURRENT TOOLS • P. O. BOX 17026 GREENVILLE, SC 29606  
800.230.5421 or 864.244.1201 • FAX 864.244.5860  
www.currenttools.com**

## SPECIFICATIONS

<b>Model No.</b>	9546
<b>Opening Size</b>	6"
<b>Capacity</b>	100 lbs.
<b>Weight</b>	9.5 lbs.

## TYPICAL CLAMPING ARRANGEMENTS



Clamps are shipped bolted in three places to the Four-Side Roller. The clamp may be shifted either direction as shown. See Figure 2. However, **ALWAYS** use at least 2 bolts for the connection.

<b>Bolt</b> (Grade 5)	5/16" – 18 x 1"
<b>Hex Nut</b>	5/16" – 18
<b>Lockwasher</b>	5/16"

## OPERATING INSTRUCTIONS

1. Firmly attach Four-Sided Roller to cable tray using clamp provided. Be sure to configure the Four-Sided Roller so that the quick release pin is on the bottom inside position. (See Figures 1a thru 1c.)
2. Remove the quick release pin and open the Four-Sided Roller to load cable. Close the Four-Sided Roller and re-insert the quick release pin before beginning the pull. After cable pull is complete, remove the quick release pin and unload the cable into the cable tray. (See Figure 3.)

