

# 752 BENDING WORK STATION

## FEATURES

- Mechanical bender for 1/2" to 1" Rigid and IMC Conduit, schedule 40 pipe and 1/2" to 1 1/4" EMT conduit
- Conduit storage racks
- Print table for blueprint viewing
- Ratchet handle storage
- Storage tray for holding miscellaneous tools, fittings, etc.
- Four casters for ease of mobility (two fixed, two swivel locking)
- Stabilizer leg for added stability while print table is being used
- Powder coated finish



Fits through  
standard 36"  
doorway!

Bends  
Rigid, IMC  
and EMT!



Scan here for manual



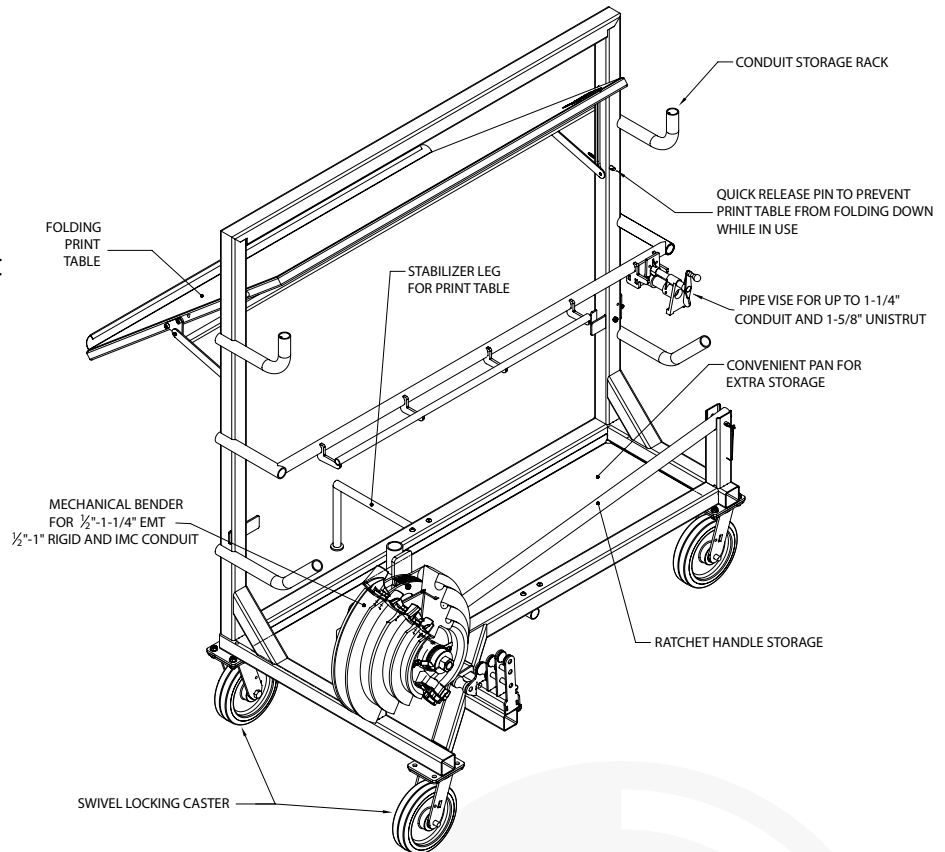
**Current Tools**  
FOR THE PROFESSIONAL ELECTRICIAN  
[www.currenttools.com](http://www.currenttools.com)



# 752 BENDING WORK STATION

## FEATURES

- Four casters (two rigid, two swivel locking) for ease of transport
- Mechanical bender for 1/2" to 1" Rigid and IMC conduit and schedule 40 pipe and 1/2" to 1 1/4" EMT conduit
- Conduit storage racks
- Print table for blueprint viewing
- Storage tray for holding miscellaneous tools, fittings, etc.
- Ratchet handle storage
- Stabilizer leg for added stability while print table is being used



## SPECIFICATIONS

Model No.	752
Capacity	1/2" to 1" RIGID and IMC conduit and schedule 40 pipe 1/2" to 1 1/4" EMT conduit
Overall Cart Dimensions	62"L x 33"W x 62"H
Weight	290 lbs.



**Current Tools**

FOR THE PROFESSIONAL ELECTRICIAN

[www.currenttools.com](http://www.currenttools.com)